



Remington 6000W

Compact DAYLIGHT PAR

MOD. 2350



COMPACT DAYLIGHT PAR

PHYSICAL:

- Lightweight & rugged stainless steel construction.
- Double wall & internal baffles for efficient ventilation.
- Finished with a silver gray, high temperature, anti-scratch powder coat paint.
- Supplied with stainless steel wireguard & UV safety glass.
- Supplied with a cool grip rear handle.
- Can be TURNED ON/OFF locally from the head or remotely from the ballast or via DMX.
- Hinged lens door with quick release latch and pivoting ear for easy loading of five different drop-in lenses without removing barndoor or other front-mounted accessories.
- Top hinged grid for easy lamp replacement
- Digital non-resetting universal hour counter assembled to the side of the igniter box
- Heavy duty tubular skid.
- Reinforced steel tube yoke with 1" male spigot attached for C-clamp and side mounted cable holding loop.
- Clutch activated T-handle for secure, single hand operation.

ELECTRICAL:

- 115-240V, 50/60Hz.
- 25' head to ballast cable extension.
- Silent high voltage igniter to operate from electronic or magnetic ballasts.
- Weatherproof on/off push buttons.
- IP23 rain tested.
- Cut-off micro-switches located on UV safety glass, lens door and lamp lock.

LAMP & LAMP HOLDER:

- 6000W Maximum
- High voltage insulated G38 bi-pin socket with lever release for single ended HMI lamps.
- Capable of hot re-strike.
- Collar clamping holds lamp firmly without stressing the electrical contacts.

OPTICAL/FOCUS MECHANISM:

- Special bi-metallic clad aluminum reflector for high degree of reflectivity and thermal resistance for long life.
- Beam intensity controlled by a rear focus knob.
- Drop-in lenses include:
 - Narrow Spot,
 - Medium Flood,
 - Wide Flood,
 - Extra Wide Flood
 - Frosted Fresnel

PHOTOMETRIC DATA		Values measured with: MSR 6000 HR			
		FEET		METERS	
TYPICAL DISTANCES		20'	40'	6 mt	12 mt
LENS TYPE	Candle Power	FOOTCANDLES		LUX	
No Lens	12.040.000	30.061	7.515	334.444	83.611
VNSP Frosted	8.435.000	21.060	5.265	234.306	58.576
NSP Narrow Rect. Pr.	2.990.000	7.465	1.866	83.056	20.764
MF Wide Rect. Pr.	910.000	2.272	568	25.278	6.319
WF Square Dimples	519.000	1.296	324	14.417	3.604
Frosted Fresnel	214.200	535	134	5.950	1.488
		F.C. AT ANY DISTANCE = Candle Power : [Distance(in ft)] ²		LUX AT ANY DISTANCE = Candle Power : [Distance(in mt)] ²	
BEAM ANGLE: Width x Height		BEAM SIZE (W x H in feet)		BEAM SIZE (W x H in meters)	
No Lens	7°	2,4'	4,9'	0,7 mt	1,5 mt
VNSP Frosted	7°	2,4'	4,9'	0,7 mt	1,5 mt
NSP Narrow Rect. Pr.	19° x 11°	6,7' x 3,9'	13,4' x 7,7'	2,0 x 1,2 mt	4,0 x 2,3 mt
MF Wide Rect. Pr.	38,5° x 20°	14,0' x 7,1'	28,0' x 14,1'	4,2 x 2,1 mt	8,4 x 4,2 mt
WF Square Dimples	44°	16,2'	32,3'	4,8 mt	9,7 mt
Frosted Fresnel	36°	13,0'	26,0'	3,9 mt	7,8 mt

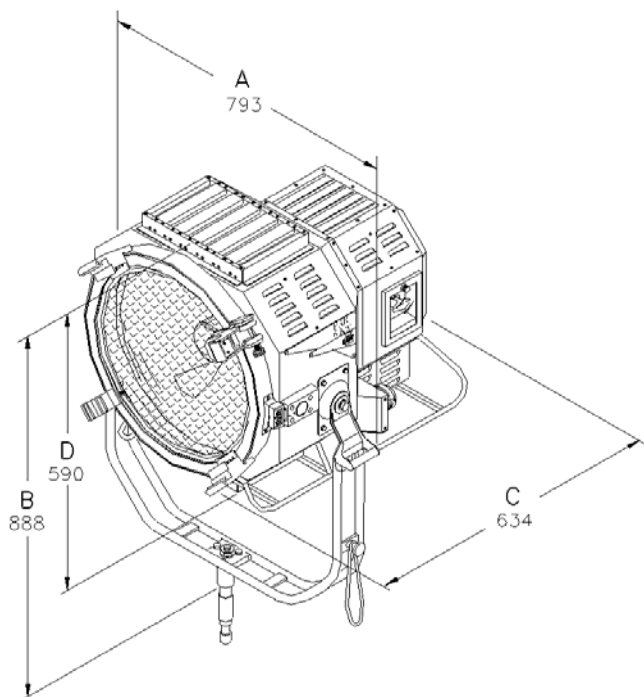
ORDERING INFORMATION

MOD.	DESCRIPTION
2350.600	REMINGTON 6000 W SYSTEM 230V, including: <ul style="list-style-type: none"> • Head Mod. 2350.110 • set of 5 lenses Mod. 2375.200 • fly case for lenses Mod. 2378.100 • DEB 4000/6000 W Dual Power electronic Flicker free ballast Mod. 2545.110 • without lamp
2350.610	REMINGTON 6000 W SYSTEM 230V, including: <ul style="list-style-type: none"> • Head Mod. 2350.110 • set of 5 lenses Mod. 2375.200 • fly case for lenses Mod. 2378.100 • DEB 4000/6000 W Dual Power electronic Flicker free ballast Mod. 2545.110 • MSR 6000W/HR lamp
2350.690	REMINGTON 6000 W "HEAD" KIT, including: <ul style="list-style-type: none"> • Head Mod. 2350.110 • fly case for luminaire Mod. 2358.180 • complete set of scrims Mod. 499.100 • MSR 6000W/HR lamp • without ballast and lenses

ACCESSORIES

MOD.	DESCRIPTION
2545.110	 "DEB" 4000/6000 W CE-230V (MIL Version) Digital Flicker Free electronic ballast including: <ul style="list-style-type: none"> • main input 185/265 V, 50/60 Hz, with PFC (power factor correction) • display with DATA LOG • Local/Remote/DMX control selector (In DMX mode it occupies 1 channel: ON/OFF+DIMMER) • dimmer range: 30% power= 50% light intensity • protected to output short circuits and 380V high voltage input • quartz generated output frequency • 2 mt. detachable main cable (INPUT) • MIL connector (OUTPUT) • XLR 5 pin panel mounted Male and Female (DMX remote control)
496.100	 Four leaf rotating barndoor
497.100	 Colour frame
499.100	 Set of 4 Stainless steel Scrims
2378.100 + 2375.200	 Set of 5 lenses with ring and handle, Types: <ul style="list-style-type: none"> • VNSP Very Narrow Spot Mod. 2375.151 • NSP Narrow Spot Mod. 2375.152 • MF Medium Flood Mod. 2375.153 • WF Wide Flood Mod. 2375.154 • Frosted Fresnel Mod. 2375.255.
2441.100	 7,5 mt. Head to ballast extension cable
2441.200	 15 mt. Head to ballast extension cable

DIMENSIONS in mm



WEIGHT 29,2 kg.