



Remington® 575w HMI PAR

2312 Series



SPECIFICATIONS

Compact HMI Open Face PAR

PHYSICAL Lightweight & rugged stainless steel construction
 Double wall & internal baffles for efficient ventilation
 Finished with a silver gray, high temperature, anti-scratch powder coat paint
 Supplied with stainless steel wireguard & UV safety glass
 Supplied with a cool grip rear handle
 Can be fired locally from the head or remotely from the ballast or via DMX
 Hinged lens door with quick release latch and pivoting ear for easy loading of five different drop-in lenses without removing barndoor or other front-mounted accessories
 Heavy duty tubular skid
 Reinforced steel tube yoke with 1" male spigot attached for C-clamp and side mounted cable holding loop
 Clutch activated T-handle for secure, single hand operation
 UL Listed

ELECTRICAL 115-240V, 50/60Hz
 Six foot (6') attached head to ballast cable
 Silent high voltage igniter to operate from electronic or magnetic ballasts
 Weatherproof on/off push buttons
 IP23 rain tested

LAMP 575w Maximum
 High voltage insulated G22 bi-pin socket for single ended HMI lamps (see table for suitable lamps)
 Capable of hot re-strike
 Collar clamping holds lamp firmly without stressing the electrical contacts

OPTICAL/ FOCUS MECHANISM Special bi-metallic clad aluminum reflector for high degree of reflectivity and thermal resistance for long life
 Beam intensity controlled by a rear focus knob
 Drop-in lenses include: Narrow spot, medium flood, wide flood, extra wide flood and frosted fresnel

ORDERING INFORMATION

Remington 575w

Model #	Description	Wt.
2312	HMI PAR supplied with attached 6' head to ballast cable & connector and tubular steel yoke with 1" spigot	14.3
2312.600/S	System supplied with attached 6' head to ballast cable & connector, tubular steel yoke with 1" spigot, four leaf barndoor, set of 5 lenses, fly case for lenses & DEB 575w compact flicker free electronic ballast & 25' extension cable	37.3
2312.610/S/L	System supplied with attached 6' head to ballast cable & connector, tubular steel yoke with 1" spigot, four leaf barndoor, set of 5 lenses, fly case for lenses, DEB 575w compact flicker free electronic ballast, 25' extension cable and 575w MSR lamp	37.6
2312.680/K/S/L	Kit supplied with attached 6' head to ballast cable & connector, tubular steel yoke with 1" spigot, four leaf barndoor, set of 5 lenses, fly case for lenses, DEB 575w compact flicker free electronic ballast, 25' extension cable, four piece scrim set, 575w MSR lamp and fly case for complete kit	n/a

Remington 575w Accessories

Model #	Description	Wt.
2505.200	DEB 575w compact flicker free electronic ballast, automatic main input selection 95/135v and 185/265v, 50/60Hz, low noise and 35% dimming capability, with 6' detachable main cable (MIL connector)	7.7
316.100	Four leaf rotating barndoor	1.4
316.200	Eight leaf rotating barndoor	1.9
317.100	Colorframe	0.3
319.100	Four piece stainless steel scrim set	0.3
319.250	180° Bottom light spill protection	0.2
2315.200	Set of 5 lenses with ring & handle including: Narrow spot, medium flood, wide flood, extra wide flood & frosted fresnel	5.4
2318.100	Fly case for 5 piece lens set	3.0
2318.180	Fly case for 2312.680/K/S/L Kit	n/a
2001.100	Cable Head to Ballast 575w 25'	4.9
2001.200	Cable Head to Ballast 575w, 50'	9.5
DGP-A110	Combo stand w/ lazy leg, 1" socket & spigot	26.0
DGP-9000	Caster wheel set with 4" diameter, braked	8.0

Remington® 575w HMI PAR

2312 Series

PHOTOMETRICS

TYPICAL DISTANCES		10'	20'	30'	40'
LIGHT CENTER VALUES	Candle Power	FOOTCANDLES			
No Lens	1,575,000	15,750	3,938	1,750	984
NSP Frosted	628,750	6,288	1,572	699	393
MF Rectangular Prism	319,250	3,193	798	355	200
WF Dimples	94,025	940	235	104	59
XWF Square Dimples	24,250	243	61	27	15
Frosted Fresnel	19,525	195	49	22	12

Values measured with MSR 575HR Lamp

F.C. at any distance = CANDLE POWER: [Distance (in ft)]²

BEAM ANGLE (50% of center value)	BEAM SIZE (W x H in feet)				
No Lens	6°	1'	2.1'	3.1'	4.2'
NSP Frosted	9°	1.5'	3'	4.5'	5.9'
MF Rectangular Prism	17° x 10°	3' x 1.7'	6 x 3.5'	9' x 5.2'	12' x 7'
WF Dimples	42° x 17°	7.7' x 3'	15.4' x 6'	23' x 9'	30.7' x 12'
XWF Square Dimples	73°	14.8'	29.6'	44.4'	59.2'
Frosted Fresnel	41°	7.5'	15'	22.4'	29.9'

For illumination with any lamp, multiply the candlepower of a beam spread by the multiplying factor (mf) shown for that lamp.

To determine illumination in footcandles or lux at any throw distance, divide candlepower by distance squared.

For field diameter at any distance, multiply distance by .12

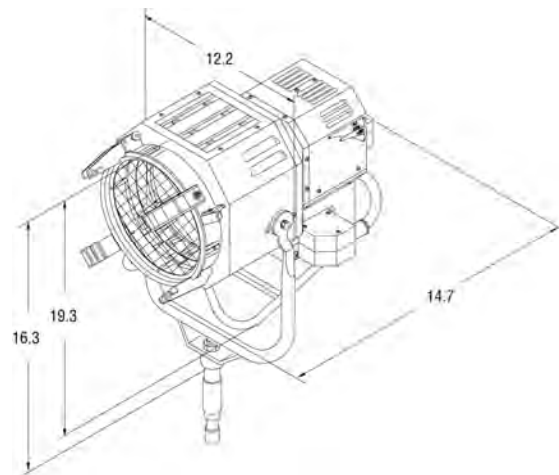
For beam diameter at any distance, multiply distance by .11

Metric Conversions: For Meters multiply feet by .3048
For Lux multiply footcandles by 10.76

LAMPING INFORMATION

Lamp Code	Watts	Volts	Color Temp	Avg. Rated Life
575MSR	575	230v	5600K	750

DIMENSIONS (inches)



De Sisti Lighting S.p.A.
Via Cancelliera 10/A
Albano Laziale (RM) - Italy
Tel. +39 06 934991
Fax. +39 06 9343489
www.desisti.it