



# Remington® 2500/4000w HMI PAR

## 2340 Series



### SPECIFICATIONS

#### Compact HMI Open Face PAR

**PHYSICAL** Lightweight & rugged stainless steel construction  
 Double wall & internal baffles for efficient ventilation  
 Finished with a silver gray, high temperature, anti-scratch powder coat paint  
 Supplied with stainless steel wireguard & UV safety glass  
 Supplied with a cool grip rear handle  
 Can be fired locally from the head or remotely from the ballast or via DMX  
 Hinged lens door with quick release latch and pivoting ear for easy loading of five different drop-in lenses without removing barndoor or other front-mounted accessories  
 External knob activated lamp release under locking cover  
 Digital non-resetting universal hour counter assembled to the side of the igniter box  
 Heavy duty tubular skid  
 Reinforced steel tube yoke with 1" male spigot attached for C-clamp and side mounted cable holding loop  
 Clutch activated T-handle for secure, single hand operation  
 UL Listed

**ELECTRICAL** 115-240V, 50/60Hz  
 Six foot (6') detachable head to ballast cable  
 Silent high voltage igniter to operate from electronic or magnetic ballasts  
 Weatherproof on/off push buttons  
 IP23 rain tested  
 Cut-off micro-switches located on UV safety glass, lens door and lamp lock

**LAMP** 4000w Maximum  
 High voltage insulated G38 bi-pin socket for single ended HMI lamps (see table for suitable lamps)  
 Capable of interchanging a 2500 or 4000w lamp  
 Capable of hot re-strike  
 Collar clamping holds lamp firmly without stressing the electrical contacts

**OPTICAL/ FOCUS MECHANISM** Special bi-metallic clad aluminum reflector for high degree of reflectivity and thermal resistance for long life  
 Beam intensity controlled by a rear focus knob  
 Drop-in lenses include: Narrow spot, medium flood, wide flood, extra wide flood and frosted fresnel

### ORDERING INFORMATION

#### Remington 2500/4000w

Model #	Description	Wt.
2340	HMI PAR supplied with detachable 6' head to ballast cable & connector and tubular steel yoke with 1" spigot	46.3
2340.600/S	System supplied with detachable 6' head to ballast cable & connector, tubular steel yoke with 1" spigot, four leaf medium barndoor, set of 5 lenses, fly case for lenses & DEB 2500/4000w dual flicker free electronic ballast & 25' extension cable	128.4
2340.610/S/L	System supplied with attached 6' head to ballast cable & connector, tubular steel yoke with 1" spigot, four leaf medium barndoor, set of 5 lenses, fly case for lenses, DEB 2500/4000w dual flicker free electronic ballast, 25' extension cable and 4000w MSR lamp	129.0
2340.690/K/H/L	Kit supplied with attached 6' head to ballast cable & connector, tubular steel yoke with 1" spigot, four leaf medium barndoor, set of 5 lenses, fly case for lenses, 25' extension cable, four piece scrim set, 4000w MSR lamp and fly case for complete kit—no ballast	n/a

#### Remington 2500/4000w Accessories

Model #	Description	Wt.
2535.100	DEB 2500/4000w dual flicker free electronic ballast 185/265v, 50/60Hz, low noise and 35% dimming capability, with 6' detachable main cable (MIL connector)	48.5
356.100	Four leaf rotating barndoor (Large)	4.1
356.110	Four leaf rotating barndoor (Medium)	3.8
356.200	Eight leaf rotating barndoor (Large)	4.5
356.210	Eight leaf rotating barndoor (Medium)	4.2
327.100	Colorframe	1.1
359.100	Four piece stainless steel scrim set	1.1
359.250	180° Bottom light spill protection	0.7
2345.200	Set of 5 lenses with ring & handle including: Narrow spot, medium flood, wide flood, extra wide flood & frosted fresnel	15.0
2348.100	Fly case for 5 piece lens set	5.3
2348.180	Fly case for 2340.690/K/H/L Kit	n/a
2535.601	Fly case for dual DEB 2500/4000w ballast	n/a
2431.100	Cable Head to Ballast 4000w, 25'	7.3
2431.200	Cable Head to Ballast 4000w, 50'	14.6
DGP-B200	High wind-up stand—3-sections—with braked hard wheels	n/a

# Remington® 2500/4000w HMI PAR

## 2340 Series

### PHOTOMETRICS

TYPICAL DISTANCES			20'	30'	60'	80'
LIGHT CENTER VALUES	Candle Power	FOOTCANDLES				
No Lens	4000w	8,500,000	21,222	5,306	2,358	1,327
	2500w	7,100,000	17,727	4,432	1,970	1,109
NSP Frosted	4000w	2,250,000	5,618	1,404	624	351
	2500w	1,500,000	3,745	936	416	234
MF Rect. Prism	4000w	1,750,000	4,369	1092	485	273
	2500w	1,200,000	2,996	749	333	187
WF Dimples	4000w	710,000	1,773	443	197	111
	2500w	430,000	1,074	268	119	67
XWF Sq.Dimple	4000w	500,000	1,248	312	139	78
	2500w	320,000	799	200	89	50
Frosted Fresnel	4000w	155,000	387	97	43	24
	2500w	110,000	275	69	31	17

*Values measured with MSR 2500 & 4000HR Lamps*

F.C. at any distance = CANDLE POWER: [Distance (in ft)]<sup>2</sup>

BEAM ANGLE (50% of center value)	BEAM SIZE (W x H in feet)				
No Lens	6°	2.1'	4.2'	6.3'	8.4'
NSP Frosted	15°	5.3'	10.5'	15.8'	21.1'
MF Rectangular Prism	26° x 12°	9.2' x 4.2'	18.5' x 8.4'	27.7' x 12.6'	36.9' x 16.8'
WF Dimples	50° x 22°	18.7' x 7.8'	37.3' x 15.6'	56' x 23.3'	74.6' x 31.1'
XWF Square Dimples	27°	9.6'	19.2'	28.8'	38.4'
Frosted Fresnel	42°	15.4'	30.7'	46.1'	61.4'

For illumination with any lamp, multiply the candlepower of a beam spread by the multiplying factor (mf) shown for that lamp.

To determine illumination in footcandles or lux at any throw distance, divide candlepower by distance squared.

For field diameter at any distance, multiply distance by .12

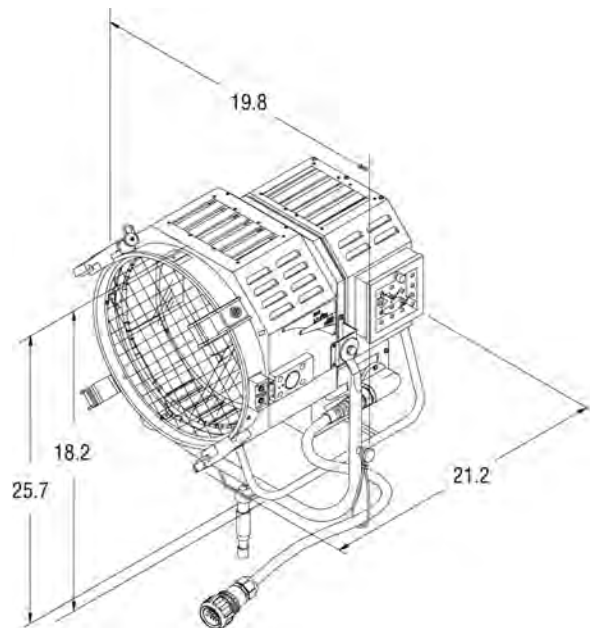
For beam diameter at any distance, multiply distance by .11

**Metric Conversions:** For Meters multiply feet by .3048  
For Lux multiply footcandles by 10.76

### LAMPING INFORMATION

Lamp Code	Watts	Volts	Color Temp	Avg. Rated Life
2500MSR	2500	230v	5600K	500
4000MSR	4000	230v	5600K	500

### DIMENSIONS (inches)



De Sisti Lighting S.p.A.  
Via Cancelliera 10/A  
Albano Laziale (RM) - Italy  
Tel. +39 06934991  
Fax. +39 069343489  
[www.desisti.it](http://www.desisti.it)