



REMBRANDT PICCOLO 1.2 kW Mk2

DAYLIGHT Fresnel SPOTLIGHT MOD. 2512

DATA SHEET
4/2/2010



MOD. 2512

FEATURES

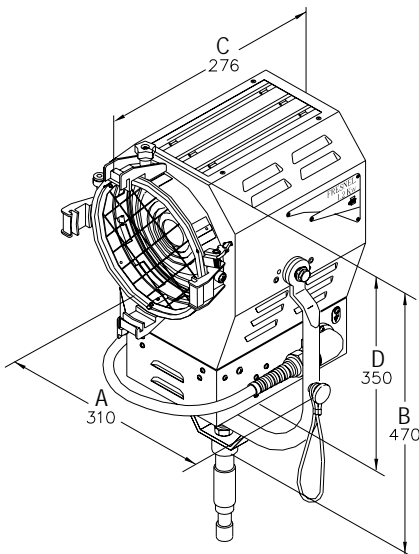
- Compact, highly efficient Fresnel lens spotlight The REMBRANDT PICCOLO 1200 W is a compact Fresnel Spotlight, using Single ended Hot Re-strike metal halide discharge lamps having G38 socket. L.C.L. is 107 mm for 1.200 W lamp
- 150 mm. diameter high quality, shock resistant Borosilicate glass Fresnel lens on spring supports.
- Rugged and Lightweight Stainless Steel housing with low glare Silver High Temperature (530°C) resistant powder coating, with internal double walls and reinforces.
- High efficiency convection cooling.
- Heavy-duty G-38 bi-post socket for Discharge Lamps (High Voltage Rating), with special contacts for homogeneous current distribution over lamp's pins.
- Special bimetallic clad aluminum reflector for high degree of reflectivity and thermal resistance for long life.
- Stainless steel cable driven focus mechanism which guides Teflon bushings supported lamp carriage along 2 steel rails. This ensures smooth operation, and restricts bouncing or chattering of the lamp carriage during focusing, in any tilting position of the fixture, avoiding lamp failures during operation. The Teflon bushings also provide a wiping action, which cleans the stainless steel guide rails during focus. The whole spot to flood action is accomplished with 1 and half turn of the focusing knob.
- The unit is equipped with a hinged lens door with wire-guard for easy access to the lamp, it includes accessory holding brackets, which can be positioned in two different arrangements (vertical-horizontal or diagonal). One of the 4 brackets has a locking knob and is spring loaded, it can be locked to either safely hold barndoor, color frame and scrims or to be rotated 90° and locked in an open position for fast accessories changes. A double safety accessory bracket with spring loaded catch is available on request to be assembled opposite to the locking knob.
- The accessories are secure regardless of the orientation of the fixture. Accessories have been designed for one hand installation.

CHARACTERISTICS & PERFORMANCE DATA


DESCRIPTION	VALUE	
↻ Amperage	See lamp data (from ballast to head) or ballast manual (supply to ballast)	
↻ MAX Ignition voltage (hot lamp)	≅ 50 KV	
↻ Connections to ballast (Standard version)	BALLAST TYPE	CONNECTION
	DEB 1,2 K	Direct
	DEB 575/1,200 W	Direct to 1200 W socket
	Magnetic 1,2 K	Direct
↻ Connector type	Standard Version	Special Version (*)
	7 Pin 24-2 Male with ring nut - Type : Bayonet 3 ramps	7 pin (6 M - 1 F) with threaded ring nut – Type : German std M1
↻ Lamp Holder	G 38	
↻ Power Cable (from fixture to ballast)	7 x 1,5 mm ² - Rubber , for rough service	
↻ Protection Class	Class 1– ground connection required through ballast	
↻ Protection Type	IP 22	
↻ Max Housing surface temperature	150 °C	
↻ Weight of Fixture	8 Kg (MO)	
↻ Weight of barndoor	4 leaf	8 leaf
	0,63 kg.	0,85 kg.
↻ Size of Barndoor ring	Seat Diameter	Ring Diameter
	192 mm.	190 mm.(≅7" ¹ / ₂)
↻ Size of scrims and color frame	<i>Seat x scrims</i>	<i>Scrim Dia.</i>
	187 mm	185 mm (≅7" ¹ / ₄)

(*) = Special version with German std M1 connector are available only on special request and shall be used with special ballast and extension cables for connector compatibility

Dimensions in mm



USABLE LAMPS

USABLE LAMPS Manufacturer	 1200 W Model
OSRAM	HMI 1200 w / SE
PHILIPS	MSR HR 1200 w
Other manufacturers may be used as long as they meet completely the technical specifications of the above lamps	

WORKING CONDITIONS

↻ Working Position	Lighting fixture: Max. Tilting ±90° from horizontal	Lamp: S90
↻ Ambient Temperature, t _a	+45° C Max	
↻ Minimum distances from inflammable surfaces	Top 0,5 m.	Back 0,2 m.
	Sides 0,2 m.	Front 3 m.

DEB DIGITAL ELECTRONICS BALLASTS



DIGITAL DEB 575-1200W MOD. 2515 (in case it is required POWER FACTOR CORRECTION and DMX control for the 575W lamp)

PROTECTION FOR HIGH OR LOW INPUT VOLTAGE: Avoids ballast breakage in case of wrong mains connection (for instance 380V)

POWER FACTOR CORRECTION (ACTIVE LINE FILTER)

LED DISPLAY: It include a membrane keypad in order to activate different functions, Multi-language menu, System diagnostic, DMX addressing, DATA LOG (hour counter for lamp/ballast operation, record of diagnostic status). Output Frequency set up (for high speed electronic shutter in PAL or NTSC)

LOCAL, REMOTE AND DMX CONTROL

LOW NOISE & FLICKER FREE SELECTOR

DUAL POWER OUTPUT WITH AUTOMATIC SELECTION

OUTPUT SHORT CIRCUIT & ARC TO GROUND PROTECTION

CONSTANT OUTPUT LAMP POWER

QUARTZ GENERATED OUTPUT FREQUENCY

Electrical Performance

Input Voltage	95 - 265 V
Nominal effective input current	6.0 A (575kw) - 12.3 A (1.2kw) at 110V 2.9 A (575kw) - 6 A (1.2kw) at 220V
Efficiency (Average)	> 0,93
Power factor (Average)	> 0,95
Dimmer range	30%
On/Off control	Local, Remote or DMX

Weights & Dimensions

Dimensions	inches	mm
width (A)	7.87	199
height (B)	8.67	220
depth (C)	13.39	340
Weight	Lbs	Kg
	20.9	9.48
Working position	Ballast with control panel facing front	
Ambient temperature	-20...+45°C	
& Humidity allowed	IP23	



PHOTOMETRIC DATA

PHOTOMETRIC DATA REMBRANDT PICCOLO 1.200 W

Values measured with: MSR 1200 HR, 150 mm. Φ Fresnel Lens

		FEET				METERS			
TYPICAL DISTANCES		20'	30'	40'	50'	6 mt	9 mt	12 mt	15 mt
LIGHT CENTER VALUES	Candle Power	FOOTCANDLES				LUX			
	SPOT 464.275	1.161	516	290	186	12.897	5.732	3.224	2.063
FLOOD 66.150		165	74	41	26	1.838	817	459	294
		F.C. AT ANY DISTANCE = Candle Power : [Distance(in ft)] ²				LUX AT ANY DISTANCE = Candle Power : [Distance(in mt)] ²			
BEAM ANGLE (50% of center value):		BEAM DIAMETER in feet				BEAM DIAMETER in meters			
SPOT	9,0°	3,1'	4,7'	6,3'	7,9'	0,9 mt	1,4 mt	1,9 mt	2,4 mt
FLOOD	54,9°	20,8'	31,2'	41,6'	51,9'	6,2 mt	9,4 mt	12,5 mt	15,6 mt

REMBRANDT PICCOLO 1200W Mk2 VERSIONS & MODEL NUMBERS

MOD. DESCRIPTION

MOD.	PRODUCT DETAILS
2512.110	<p>REMBRANDT PICCOLO 1200 W MARK 2 Single Ended Stainless Steel DAYLIGHT FRESNEL with NEW IGNITER SYSTEM including:</p> <ul style="list-style-type: none"> - M.O. Fixture Head with 150 mm. Ø Fresnel lens, - 0,5 mt. cable tail with MIL in-line male connector Mod. 2512.101 - 7,5 mt. detachable cable Mod. 2011.100 - four leaf rotating barndoor Mod. 316.100 - colour frame Mod. 317.100 - Stainless Steel Wire Guard Mod. 315.300 - M.O. stirrup Mod. 2512.110.40
2515.110	<p>"DEB" 575/1200 W CE - 230V (MIL Version) Digital Flicker Free electronic ballast including:</p> <ul style="list-style-type: none"> - main input 185/265 V, 50/60 Hz, with PFC (power factor correction) - display with DATA LOG - Local/Remote/DMX control selector (In DMX mode it occupies 1 channel: ON/OFF+DIMMER) - dimmer range: 30% power= 50% light intensity - protected to output short circuits and 380V high voltage input - quartz generated output frequency - 2 mt. detachable main cable (INPUT) - MIL connector (OUTPUT) - XLR 5 pin panel mounted Male and Female (DMX remote control)
2515.210	<p>"DEB" 575/1200 W 120/230V (MIL Version) Digital Flicker Free electronic ballast including:</p> <ul style="list-style-type: none"> - main input 95/135 V and 185/265 V, 50/60 Hz, with PFC (power factor correction) - display with DATA LOG - Local/Remote/DMX control selector (In DMX mode it occupies 1 channel: ON/OFF+DIMMER) - dimmer range: 30% power= 50% light intensity - protected to output short circuits and 380V high voltage input - quartz generated output frequency - 2 mt. detachable main cable (INPUT) - MIL connector (OUTPUT) - XLR 5 pin panel mounted Male and Female (DMX remote control)

REMBRANDT PICCOLO 1200W Mk2 ACCESSORIES TYPES & MODEL NUMBERS

MOD.	OPTIONAL & ACCESSORIES
2512.110.40	Steel tube (M.O.) stirrup with 28,57 mm. spigot (B.S. 1 1/8"), with top end for attachment to "C" clamp.
2512.300.40	Steel tube (M.O.) stirrup with 28,00 mm. spigot (D.I.N)
2011.100	7,5 mt. extension cable
2011.200	15 mt. extension cable
315.300	Stainless Steel wire guard
316.100	Four leaf rotating barndoor
316.200	Eight way rotating barndoor
317.100	Colour Frame
318.100	Cone with two discs (with front aperture diameter: 105 mm. 80 mm. 55 mm.)
319.100	Set of scrims - Stainless steel
319.101	Full single scrim - Stainless steel
319.102	Full double scrim - Stainless steel
319.103	1/2 single scrim - Stainless steel
319.104	1/2 double scrim - Stainless steel
91.210	Aluminum black painted "C" clamp to hang fixtures overhead and for mounting on pipe with diameters up to 52 mm. (2"), with safety pin (no adapters)
20.100	Safety cable 800 mm. long with 4 mm. diameter steel rope and safety catch.
2512.601	Fly case for Rembrandt Piccolo 1200W for complete kit
2515.611	Fly case for DEB 575/ 1200W DUAL ballast
DGP-A1035 CS	Combo steel stand 35
DGP-A9000N	Wheel set with brakes
1200MSR/HR	MSR 1200W S.E. lamp, G 38 base - 5600°K - HOT RESTRIKE - (PHILIPS)

