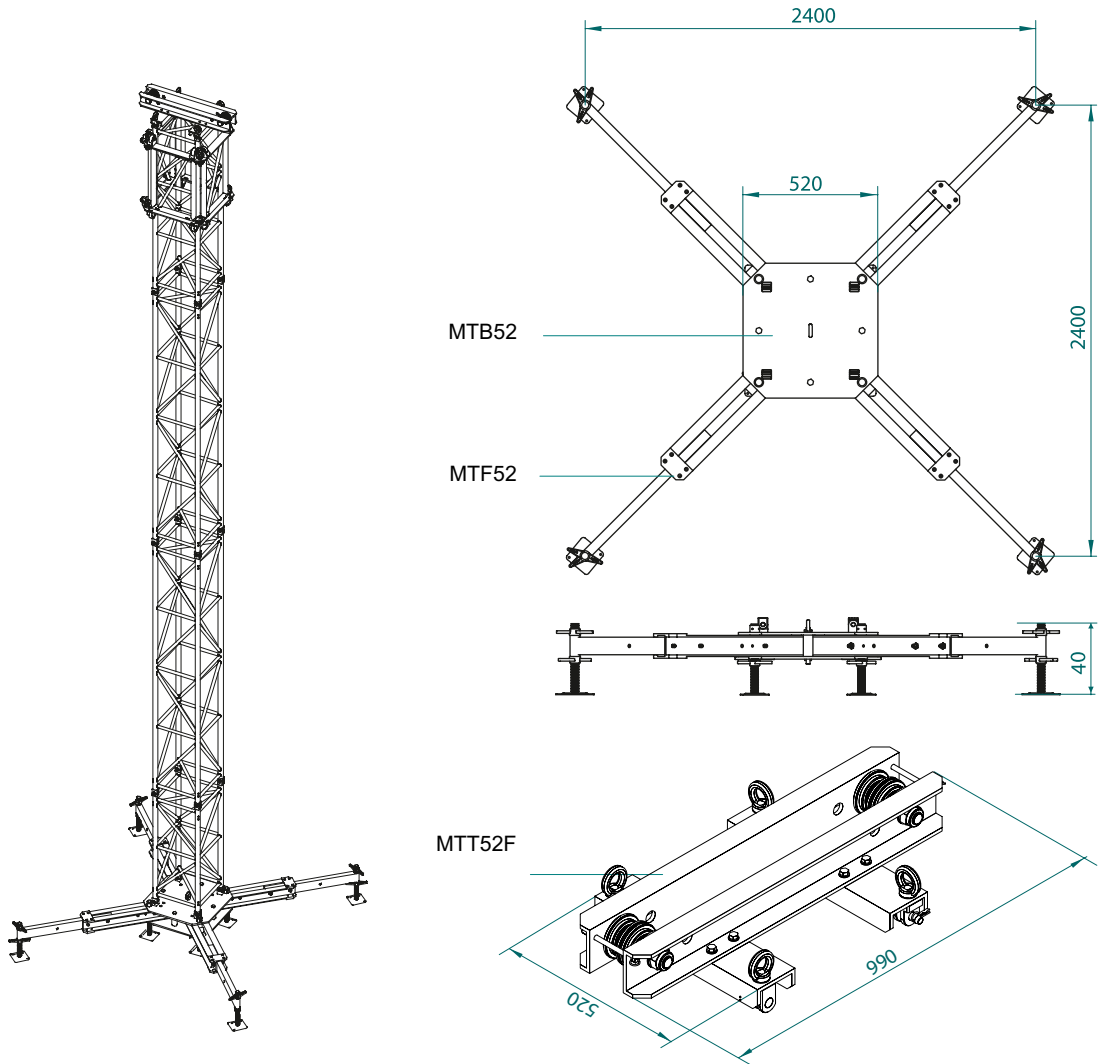


Supported truss systems	QL40A	QD40A	QD30A
Main tubes	Extruded aluminium EN-AW 6082 T6 – Ø50x4	Extruded aluminium EN-AW 6082 T6 – Ø50x3	Extruded aluminium EN-AW 6082 T6 – Ø50x3
Crossways tubes	Extruded aluminium EN-AW 6082 T6 – Ø30x3	Extruded aluminium EN-AW 6082 T6 – Ø30x3	Extruded aluminium EN-AW 6082 T6 – Ø30x3
Connection system	Aluminium fork EN-AW 6082 T6	Aluminium plate EN-AC 47000	Aluminium plate EN-AC 47000
Max height as a tower [m]	12	9	7.2

Components	
Description	Weight
MTB40 Base in sheet aluminium EN-AW 5083 – 15 mm thickness + 4 stabilizer MTF40	166 Kg
MTT40F Top in aluminium alloy EN-AW 6082 T6 with two pulleys	17Kg
QL40A truss system (approx.)	12,5 Kg/m
QD40A truss system (approx.)	9,5 Kg/m
QD30A truss system (approx.)	8 Kg/m

These technical data are valid only for structures entirely assembled with Litec materials.

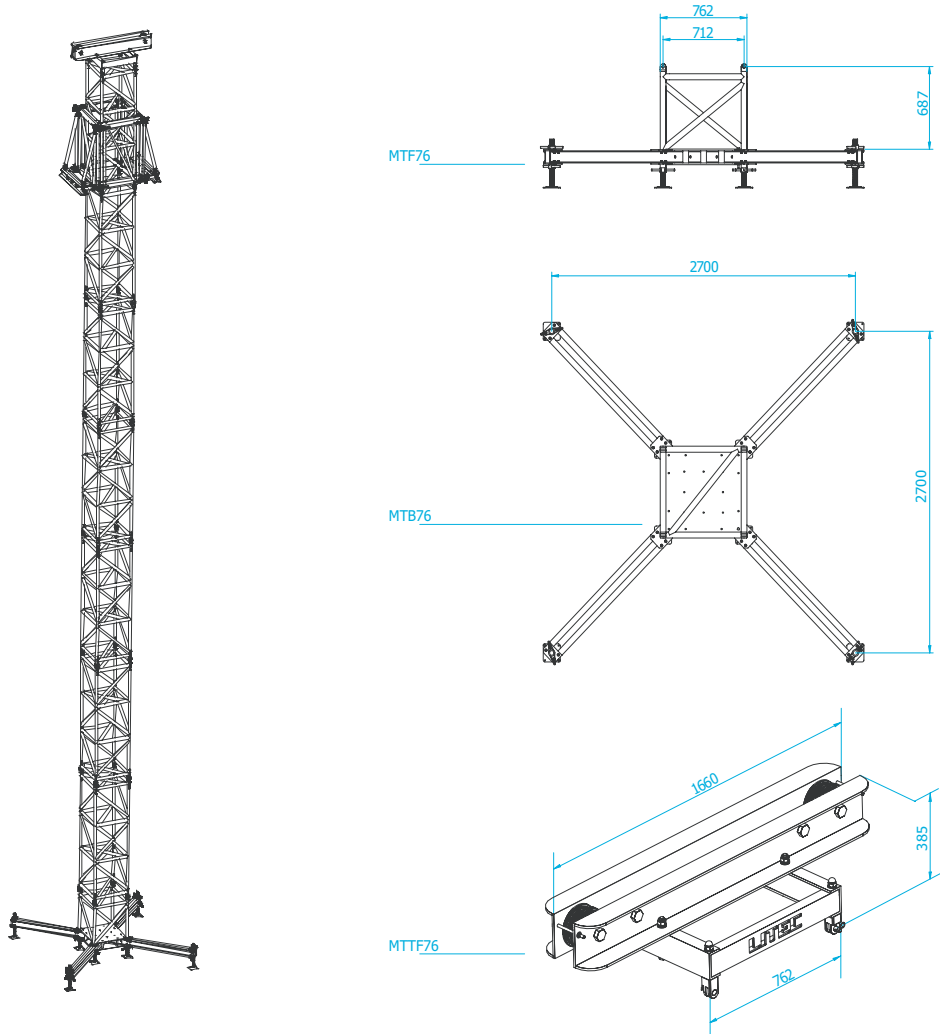
Date of issue 31/07/2008	Litec is a Brand of Staging Systems Europe S.p.A. www.litecruss.com - info@litecruss.com
-----------------------------	---



Supported truss systems	QL52A	QL40A
Main tubes	Extruded aluminium EN-AW 6082 T6 – Ø50x4	Extruded aluminium EN-AW 6082 T6 – Ø50x4
Crossways tubes	Extruded aluminium EN-AW 6082 T6 – Ø30x3	Extruded aluminium EN-AW 6082 T6 – Ø30x3
Connection system	Aluminium fork EN-AW 6082 T6	Aluminium EN - AW 6082 T6
Max height as a tower [m]	15	12

Components	
Description	Weight
MTB52 Base in sheet aluminium EN-AW 5083 – 15 mm thickness + 4 stabilizer MTF52	217 Kg
MTT52F Top in aluminium alloy EN-AW 6082 T6 with two pulleys	19Kg
QL52A truss system (approx.)	15 Kg/m
QL40A truss system (approx.)	12.5 Kg/m

These technical data are valid only for structures entirely assembled with Litec materials.



Supported truss systems	QL76A	
Main tubes	Extruded aluminium EN-AW 6082 T6 – Ø50x4	
Crossways tubes	Extruded aluminium EN-AW 6082 T6 – Ø50x4	
Connection system	Steel fork 11SMnPb37	
Max height as a tower [m]	20	
Components		
	Description	Weight
	MTB76 Base in sheet aluminium EN-AW 5083 – 15 mm thickness + 4 stabilizer MTF76	217 Kg
	MTT76F Top in aluminium alloy EN-AW 6082 T6 with two pulleys	65Kg
	QL76A truss system (approx.)	25 Kg/m

These technical data are valid only for structures entirely assembled with Litec materials.