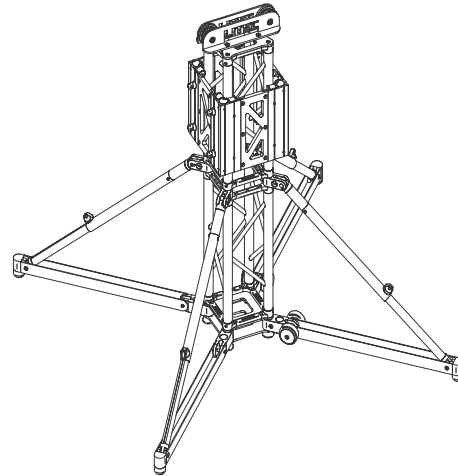
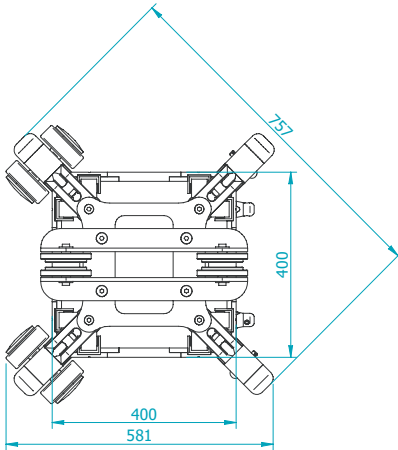
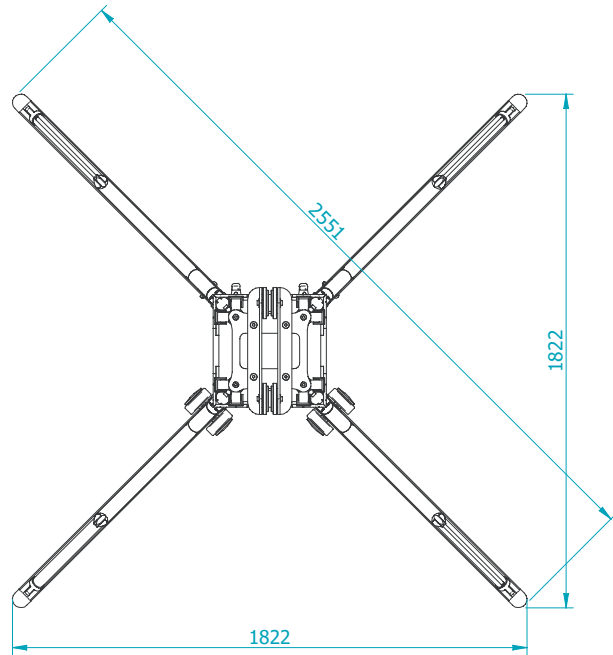
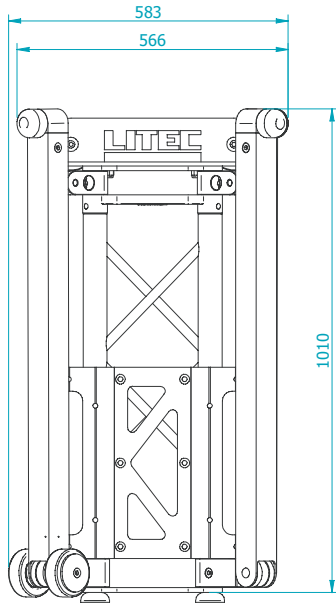


TOWERLIFT

Lifting system	steel cable manual winch
Maximum tower height	6,5 m
Vertical mounting truss	QX30S
Compatibles trusses	QX30S/QD30S/QD30SA QX40S/QD40S/QD40SA/TX30S
Base module height (excluding top)	154 cm
Base module dimensions (folded version)	60 cm x 60 cm
Base module dimensions (operating version)	180 cm x 180 cm
Volume	0,6 m ³
Adjustable legs	4
weight	115 Kg
Maximum lifting power	500 Kg

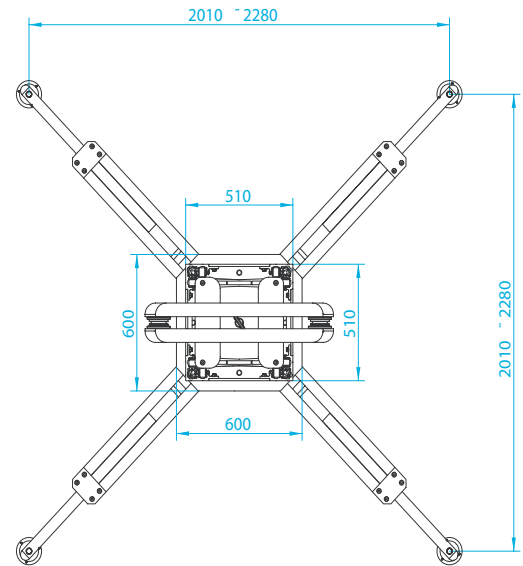
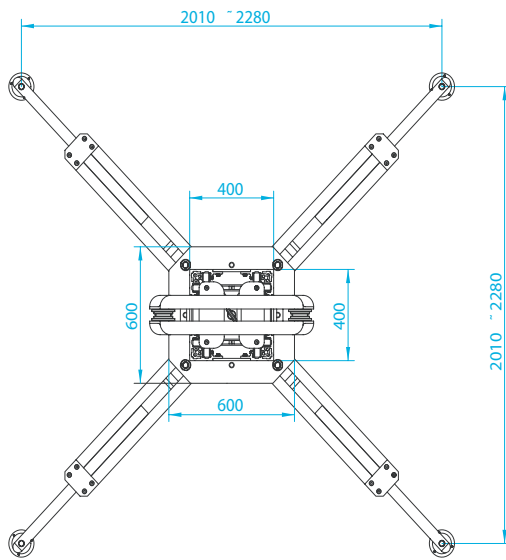
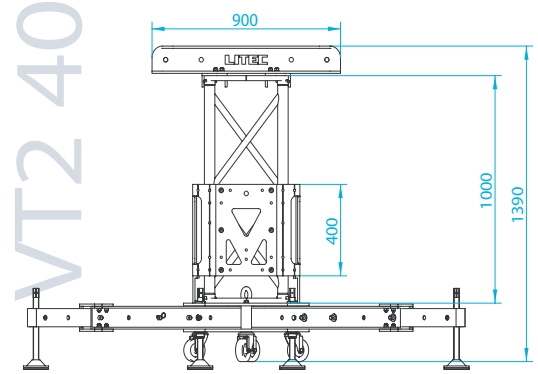
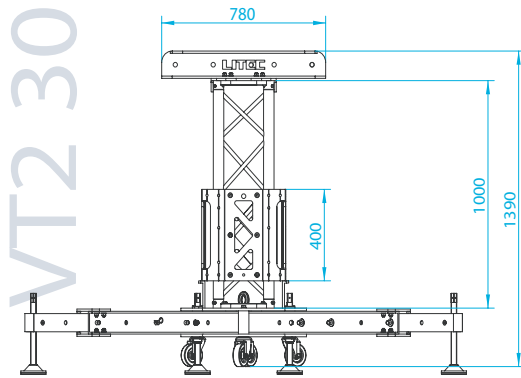
Date of issue
31/07/2008

Litec is a Brand of Staging Systems Europe S.p.A.
www.litectruss.com - info@litectruss.com

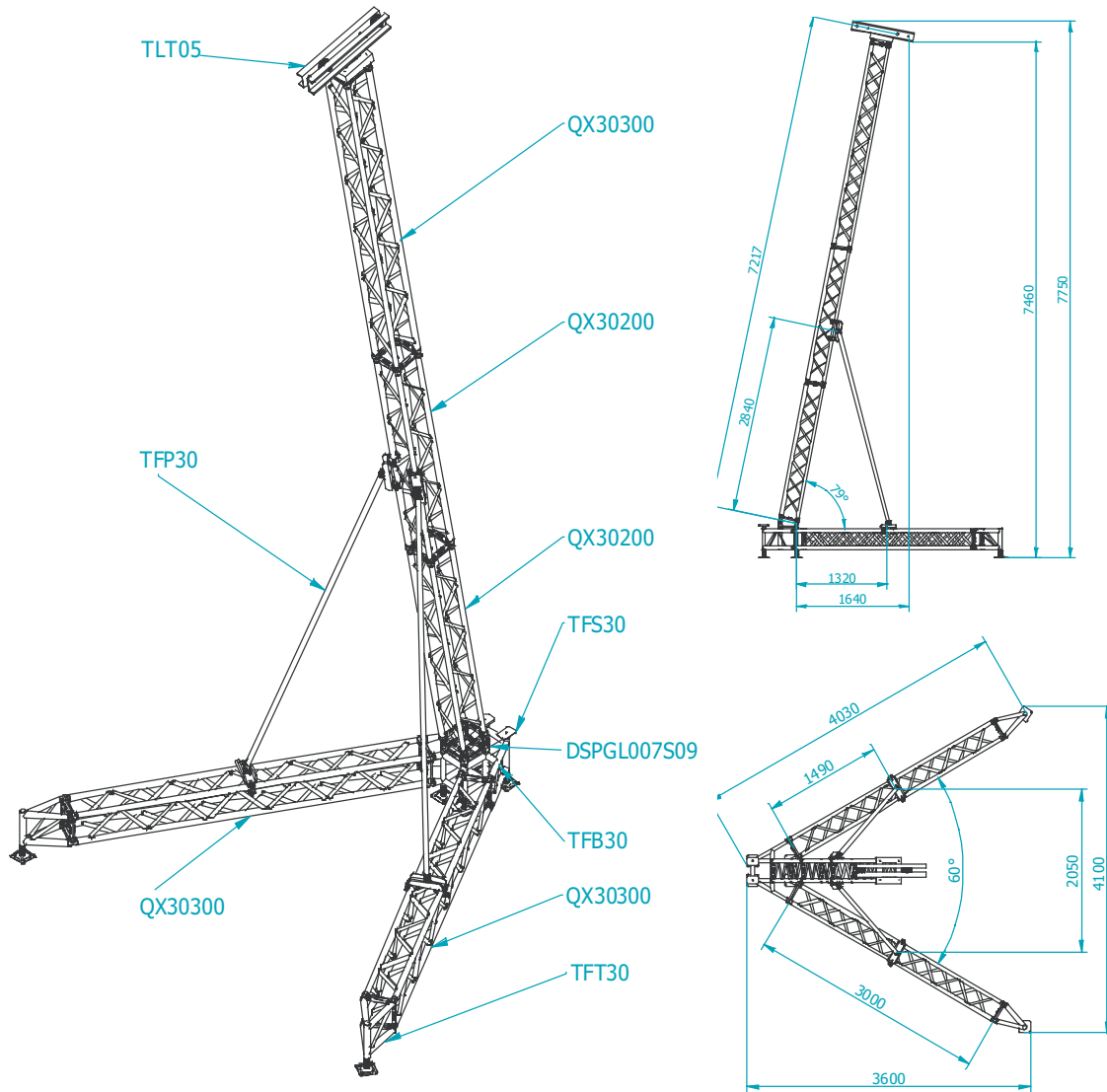


UNITOWER

Vertical mounting truss	QX30S	QD30SA
Maximum tower height	7 m	8 m
Base module height (excluding top)	90 cm	90 cm
Base module dimensions (folded version)	60 cm x 60 cm	
Base module dimensions (operating version)	182 cm x 182 cm	
Legs Maximum extension	97 cm	
Lifting system	Chain Hoist / T Lift	
Base module weight (included legs, top and sleeve block)	75 Kg	76,5 Kg
Compatible trusses	QX30S/QD30S/QD30SA QX40S/QD40S/QD40SA/TX30S	
Maximum lifting power	1000 Kg	1500 Kg



	VT2 30	VT2 40
Traliccio torre	QD30SA	QD40SA
Altezza massima torre	8 m	9 m
Altezza modulo base (escluso top)		130 cm
Dimensioni della base (configurazione di trasporto)	60 cm x 60 cm	
Ingombro della base (condizioni operative)	240 cm x 240 cm	
Sistema di sollevamento	paranco a catena	
Peso modulo base	140 Kg	145 Kg
(con carrello, gambe e top)		
Truss compatibili	QX30S/QD30S/QD30SA/QX40S/QD40S QD40SA/TX30S (TX40S solo per VT2 40)	
Portata massima	1800 Kg	2000 Kg

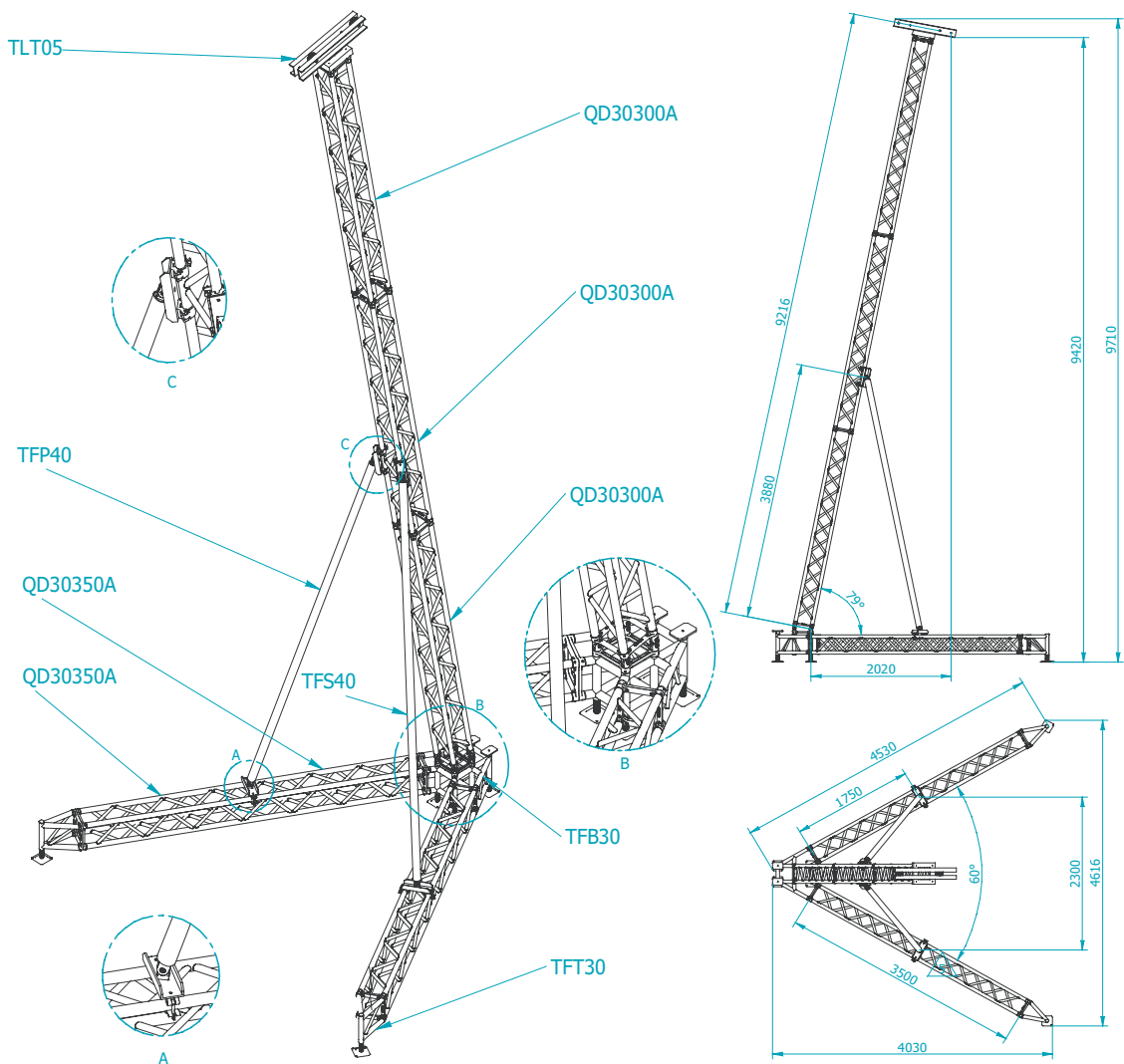


FLYNTOWER X30

Total weight [Kg]	160	
Max loading capacity [Kg]	500	
Max wind speed [Km/h]	70 (Beaufort 8)	
Max surface of speakers [m ²]	2,5 front / 2,0 side	
Necessary ballast [Kg]	170	
Base	TFB30	1
Mast section	QX30300 /1	QX30200 /2
Leg section	QX30300	2
Braces	TFP30	2
Legs' end	TFT30	2
Top	TLT05	1
Connection kit	QXFC	7

Date of issue
31/07/2008

Litec is a Brand of Staging Systems Europe S.p.A.
www.litetruss.com - info@litetruss.com



FLYNTOWER D30

Total weight [Kg]	225	
Max loading capacity [Kg]	600	
Max wind speed [Km/h]	70 (Beaufort 8)	
Max surface of speakers [m ²]	2,5 front / 2,0 side	
Base	TFB30	1
Mast section	QD30300A	3
Leg section	QD30350A	2
Braces	TFP40	2
Legs' end	TFT30	2
Top	TLT05	1
Connection kit	QXFC	9
Necessary ballast [Kg]	130	

Date of issue
31/07/2008

Litec is a Brand of Staging Systems Europe S.p.A.
www.litetruss.com - info@litetruss.com