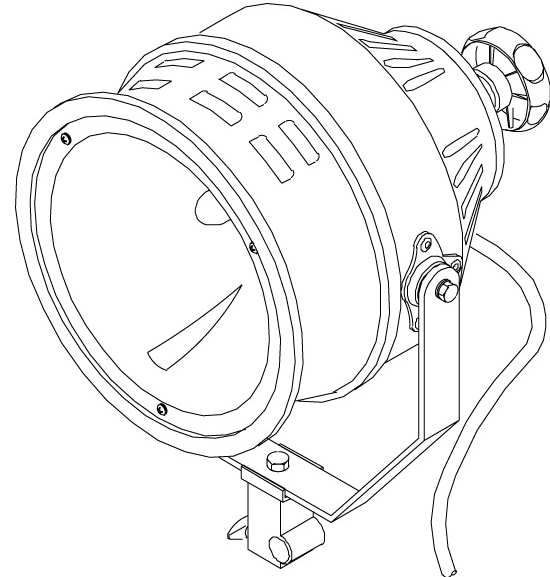




Cosmobeam® 2000w Focusable Open Face

RC200 Series



SPECIFICATIONS

Quartz Halogen Focusing Open Face Floodlight

PHYSICAL	Constructed of rugged, lightweight pressed steel Focusable open face fixture Lamphouse is high temperature finished Highly suitable for portable kits Flat aluminum yoke with standard 5/8" receiver Available with Chimera light bank UL Listed
ELECTRICAL	120-230V, 50/60Hz 16/3 SO 90° type cable Twelve foot (12') standard UL lead with 20 amp in-line on/off toggle switch protected by impact resistant cover Supplied with molded u-ground connector
LAMP	2000w Maximum R7s socket for linear double ended Tungsten halogen lamps (see table for suitable lamps)
OPTICAL/ FOCUS MECHANISM	Specially designed reflector is made of hammered, polished aluminum to ensure a high degree of reflectivity Extremely smooth focusing mechanism allows for a particularly even illumination and excellent power throughout all of the working positions Focusable from the rear

ORDERING INFORMATION

Cosmobeam 2000w

Model #	Description	Wt.
RC200	Focusable open face, supplied with yoke, 12' UL cable with 20 amp in-line on/off toggle switch with molded u-ground connector installed	6.9

Cosmobeam 2000w Accessories

Model #	Description	Wt.
RC201	Accessory Holder	1.0
RC202	Four leaf barndoor	2.4
RC202/R	Four leaf barndoor with stainless steel wireguard	2.5
RC204	Dichroic filter	n/a
RC205	Safety glass	0.4
MX10	Four piece stainless steel scrim set	0.4
8033	Scrim bag	0.4
91.303	Mini aluminum c-clamp	0.4
DGP-A625B	Avenger Midi Kit Stand	
9735	Speed Ring for RC200	n/a
8134	Video Pro Bank—Medium	n/a

Cosmobeam® 2000w Focusable Open Face

RC200 Series

PHOTOMETRICS

TYPICAL DISTANCES		10'	20'	30'	40'
LIGHT CENTER VALUES	Candle Power	FOOTCANDLES			
SPOT	92,070	921	230	102	58
FLOOD	37,440	374	94	42	23
<i>Values measured with 2000w lamp—120V</i>					
F.C. at any distance = CANDLE POWER: [Distance (in ft)]²					
BEAM ANGLE (50% of center value)		BEAM DIAMETER in feet			
SPOT	16.5°	2.9'	5.8'	8.7'	11.6'
FLOOD	28.5°	5.1'	10.2'	15.2'	20.3'

For illumination with any lamp, multiply the candlepower of a beam spread by the multiplying factor (mf) shown for that lamp.

To determine illumination in footcandles or lux at any throw distance, divide candlepower by distance squared.

For field diameter at any distance, multiply distance by .12

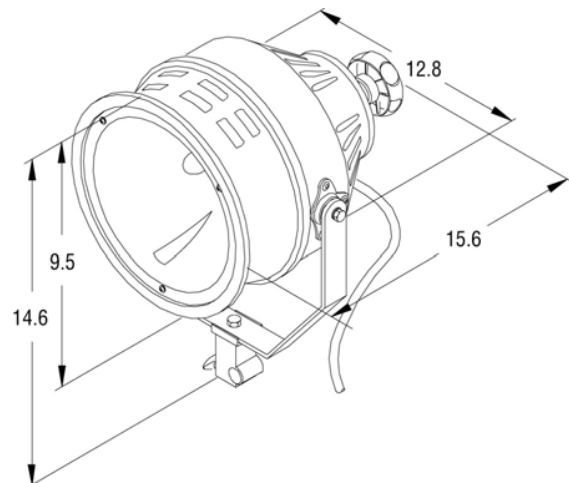
For beam diameter at any distance, multiply distance by .11

Metric Conversions: For Meters multiply feet by .3048
For Lux multiply footcandles by 10.76

LAMPING INFORMATION

Lamp Code	Watts	Volts	Color Temp	Avg- Rated Life
FEY	2000	120	3000K	400

DIMENSIONS (inches)



DE SISTI LIGHTING

dba Desmar Corporation
1109 Grand Avenue
North Bergen, NJ 07047
201-319-1100
201-319-1104 Fax
www.desisti.it